

**Filtered Modular Jacks with Enhanced Performance**

# LC Series



**UL Recognized  
CSA Certified**



## LC Series

Capacitance components enhance the filtering performance in the LC models. Available with block or sleeve inductance, the additional chip capacitors provide additional filtering on each line. The series features shields with a board ground or spring finger panel interface.

**Typical insertion loss in dB:**

Line-to-ground (stop band) in a 50 ohm circuit

	Frequency-MHz						
	30	60	80	100	200	500	1000
Ferrite Sleeves	28	40	51	40	27	24	22
Ferrite Blocks	30	41	59	40	31	28	24

**Typical insertion loss in dB:**

Line-to-line (pass band) in a 50 ohm circuit

	Frequency-MHz						
	2	5	10	30	50	70	100
Ferrite Sleeves	4	8	18	24	30	40	
Ferrite Blocks	1	8	11	21	28	33	37

## Specifications

**Contacts:**

Material:	Phosphor Bronze
Plating:	50 microinches gold
Barrier underplating:	100 microinches nickel
Resistance:	
Initial:	20 milliohms max.
After durability testing: (500 mating cycles)	30 milliohms max.

**Capacitors:**

Type:	Monolithic ceramic chip
Standard value:	820 pF
Standard tolerance:	±20%

**Ferrites:**

Type:	High resistivity, nickel zinc ceramic
Sleeves:	Single-aperture cylinders
Block:	Multi-aperture rectangular prism

**Shield Material:**

Tin-plated copper alloy

**Housing Material:**

Glass-filled polyester (UL94V-0)

**Dielectric Withstanding Voltage:**

Line-to-line and line-to-ground	1000 VAC for 60 seconds
---------------------------------	----------------------------

**Printed Circuit Board Retention:**

Before soldering:	1 lb. minimum
After soldering:	20 lb. minimum

Model dimensions and PC board layout on pages 170 to 174.

## Part Numbers

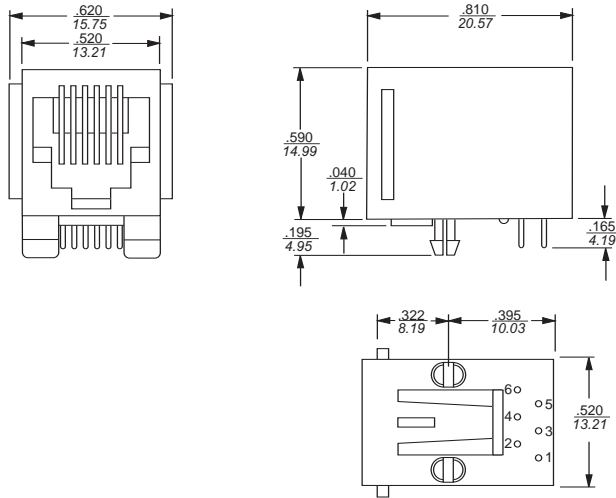
RJ11-2LC1-S	RJ11-6LC2-S
RJ11-2LC1-B	RJ11-6LC2-B
RJ11-2LC2-S	RJ45-6LC1-S
RJ11-2LC2-B	RJ45-6LC1-B
RJ11-4LC1-S	RJ45-6LC2-S
RJ11-4LC1-B	RJ45-6LC2-B
RJ11-4LC2-S	RJ45-8LC1-S
RJ11-4LC2-B	RJ45-8LC1-B
RJ11-6LC1-S	RJ45-8LC2-S
RJ11-6LC1-B	RJ45-8LC2-B

**Model Dimensions**

**Standard Profile RJ Jack Dimensions**

For the L, LC, LCT and X Series of RJ Jack Filters

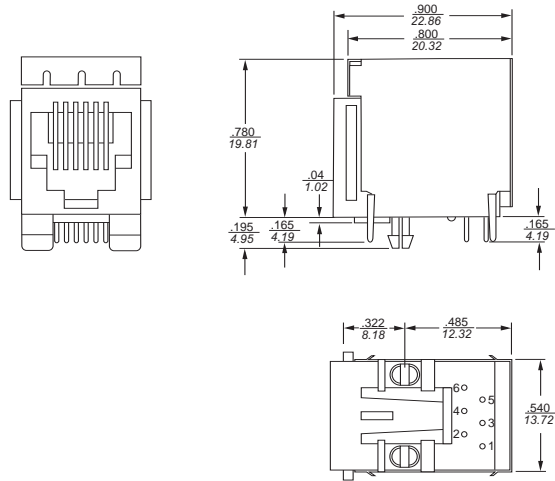
**RJ11 (No Shield)**



**Part Numbers**

RJ11-2L-S	RJ11-2L-B	RJ11-2X
RJ11-4L-S	RJ11-4L-B	RJ11-4X
RJ11-6L-S	RJ11-6L-B	RJ11-6X

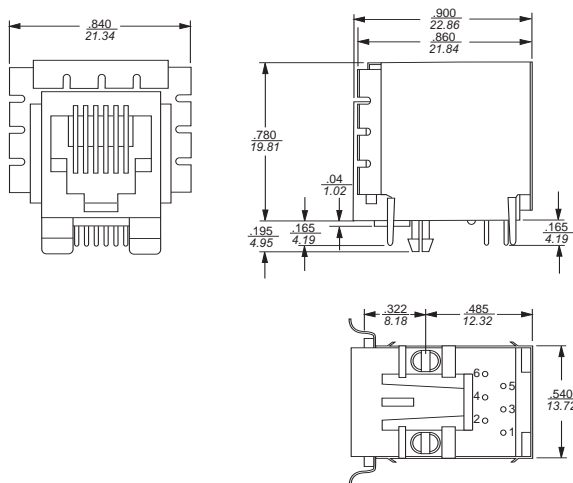
**RJ11 (Style 2 Shield)**



**Part Numbers**

RJ11-2LC2-S	RJ11-2LC2-B	RJ11-4L2-S	RJ11-6L2-B
RJ11-4LC2-S	RJ11-4LC2-B	RJ11-6L2-S	RJ11-6LCT2-S
RJ11-6LC2-S	RJ11-6LC2-B	RJ11-4L2-B	RJ11-6LCT2-B

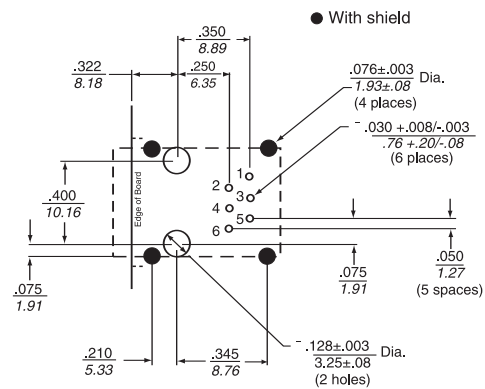
**RJ11 (Style 1 Shield)**



**Part Numbers**

RJ11-2LC1-S	RJ11-2LC1-B	RJ11-4L1-S	RJ11-6L1-B
RJ11-4LC1-S	RJ11-4LC1-B	RJ11-6L1-S	RJ11-6LCT1-S
RJ11-6LC1-S	RJ11-6LC1-B	RJ11-4L1-B	RJ11-6LCT1-B

**RJ11 (PC Board Layout)**



Shown from Component Side

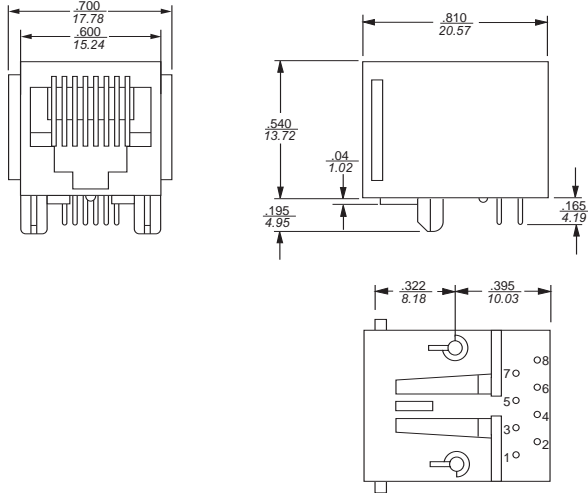
For all RJ11 L, LC, LCT and X Series Models

**Model Dimensions (Continued)**

**Standard Profile RJ Jack Dimensions (cont'd)**

For the L, LC, LCT and X Series of RJ Jack Filters

**RJ45 (No Shield)**

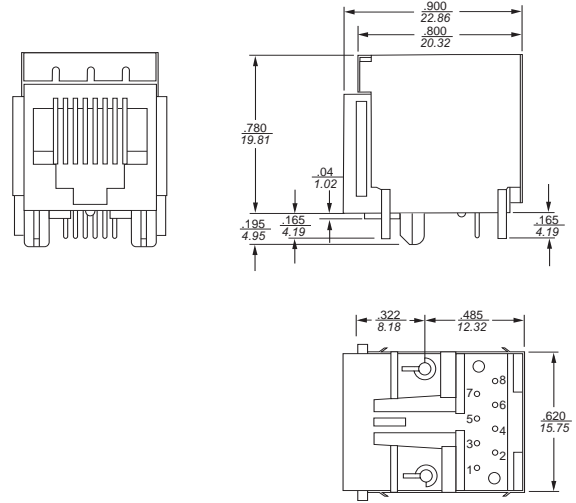


**Part Numbers**

RJ45-6L-S  
RJ45-8L-S  
RJ45-6L-B

RJ45-8L-B  
RJ45-6X  
RJ45-8X

**RJ45 (Style 2 Shield)**



**Part Numbers**

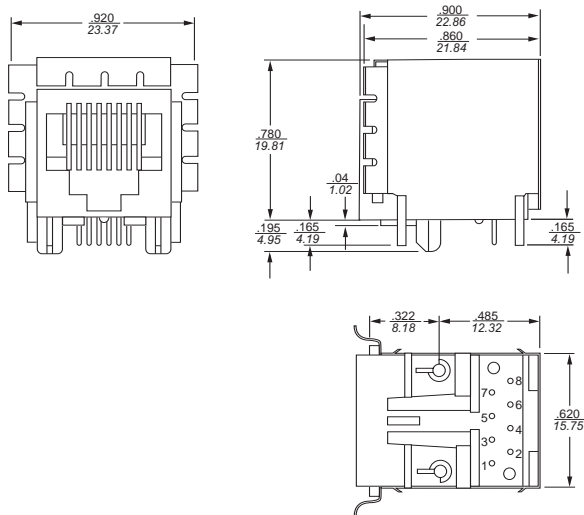
RJ45-6LC2-S  
RJ45-6L2-S  
RJ45-8LCT2-S

RJ45-8LC2-S  
RJ45-8L2-S  
RJ45-8LCT2-B

RJ45-6LC2-B  
RJ45-6L2-B

RJ45-8LC2-B  
RJ45-8L2-B

**RJ45 (Style 1 Shield)**



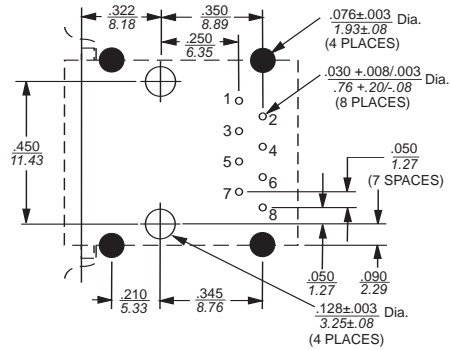
**Part Numbers**

RJ45-6LC1-S  
RJ45-6L1-S  
RJ45-8LCT1-S

RJ45-8LC1-S  
RJ45-8L1-S  
RJ45-8LCT1-B

RJ45-6LC1-B  
RJ45-6L1-B  
RJ45-8LC1-B  
RJ45-8L1-B

**RJ45 (PC Board Layout)**



Shown from Component Side

For all RJ45 L, LC, LCT and X Series Models.

**Part Numbers**

RJ45-6LC2-S  
RJ45-6L2-S  
RJ45-8LCT2-B

RJ45-8LC2-S  
RJ45-8L2-S  
RJ45-8LCT2-S

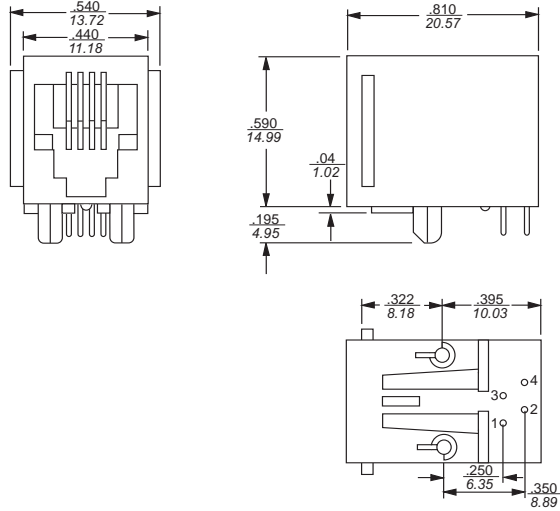
RJ45-6LC2-B  
RJ45-6L2-B

RJ45-8LC2-B  
RJ45-8L2-B

**Model Dimensions (Continued)**

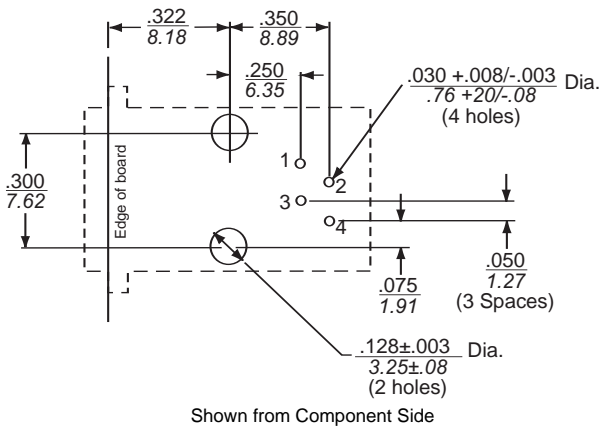
**Standard Profile RJ Jack Dimensions (cont'd)**  
For the L, LC, LCT and X Series of RJ Jack Filters

**RJH (No Shield)**



**Part Numbers**  
RJH-4-L-B

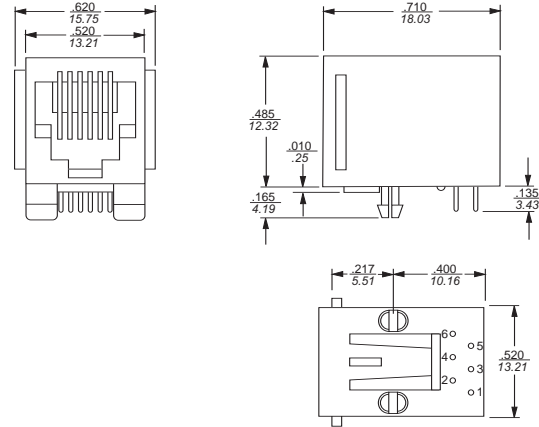
**RJH (No Shield - PC Board Layout)**



All tolerances  $\pm 0.010$  [0.25] unless otherwise noted.

**Low Profile RJ Jack Dimensions**  
For the N and Z Series of RJ Jack Filters

**RJ11 (Low Profile - No Shield)**

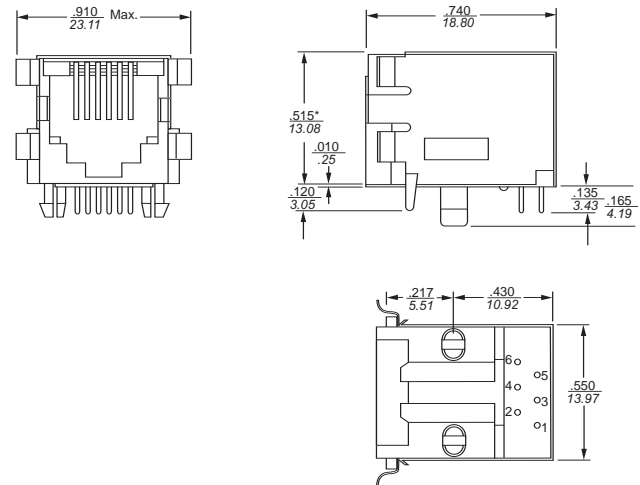


**Part Numbers**  
RJ11-6N-B

RJ11-6N-S

RJ11-6Z

**RJ11 Low Profile (Style 3 Shield)**



**Part Numbers**  
RJ11-6N3-B

RJ11-6N3-S

RJ11-6Z3

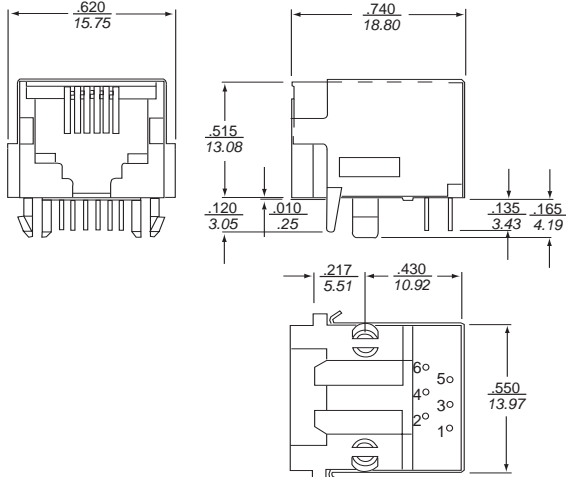
\*To top of shield

**Model Dimensions (Continued)**

**Low Profile RJ Jack Dimensions (cont'd)**

For the N and Z Series of RJ Jack Filters

**RJ11 Low Profile (Style 4 Shield)**



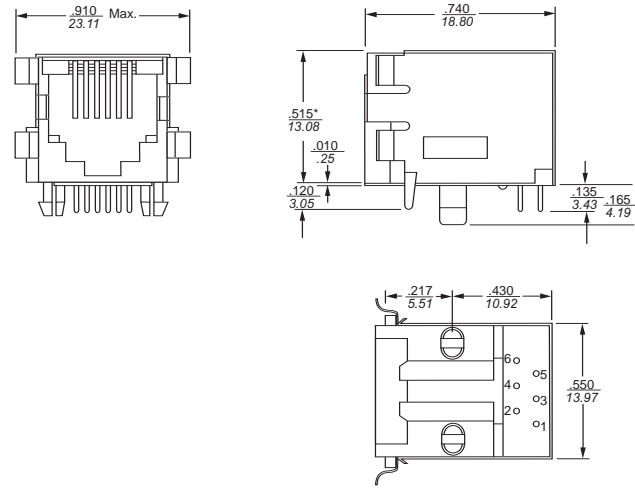
**Part Numbers**

RJ11-6N4-B

RJ11-6N4-S

RJ11-6Z4

**RJ45 Low Profile (No Shield)**



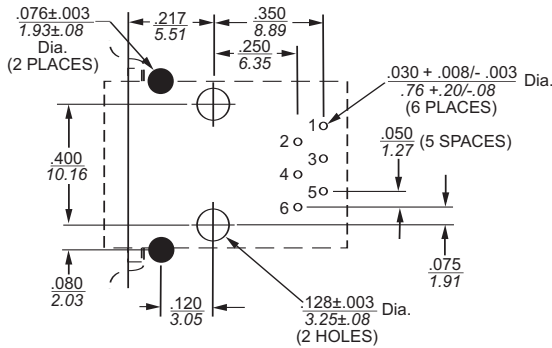
**Part Numbers**

RJ11-6N3-B

RJ11-6N3-S

RJ11-6Z3

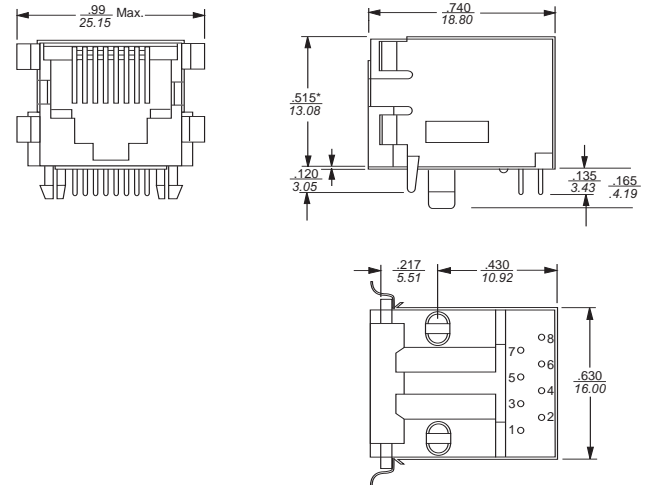
**RJ11 Low Profile (PC Board Layout)**



Shown from Component Side

For all RJ11 N and Z Series Models

**RJ45 Low Profile (Style 3 Shield)**



**Part Numbers**

RJ45-8N3-B

RJ45-8N3-S

RJ45-8Z3

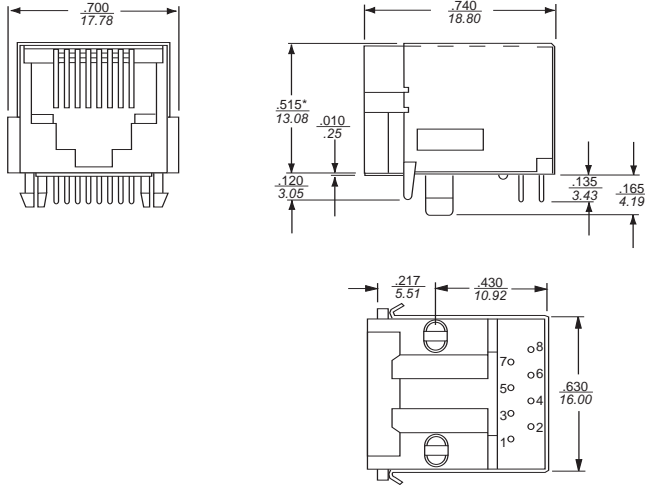
\*To top of shield

**Model Dimensions (Continued)**

**Low Profile RJ Jack Dimensions (cont'd)**

For the N and Z Series of RJ Jack Filters

**RJ45 Low Profile (Style 4 Shield)**



**Part Numbers**

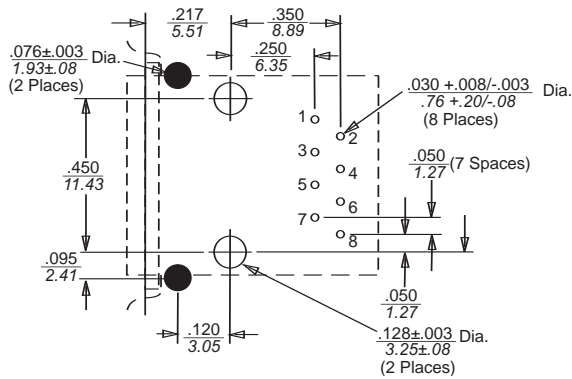
RJ45-8N4-B

RJ45-8N4-S

RJ45-8Z4

\*To top of shield

**RJ45 Low Profile (PC Board Layout)**



Shown from Component Side

For all RJ45 N and Z Series Models

All tolerances  $\pm 0.010$  [0.25] unless otherwise noted.